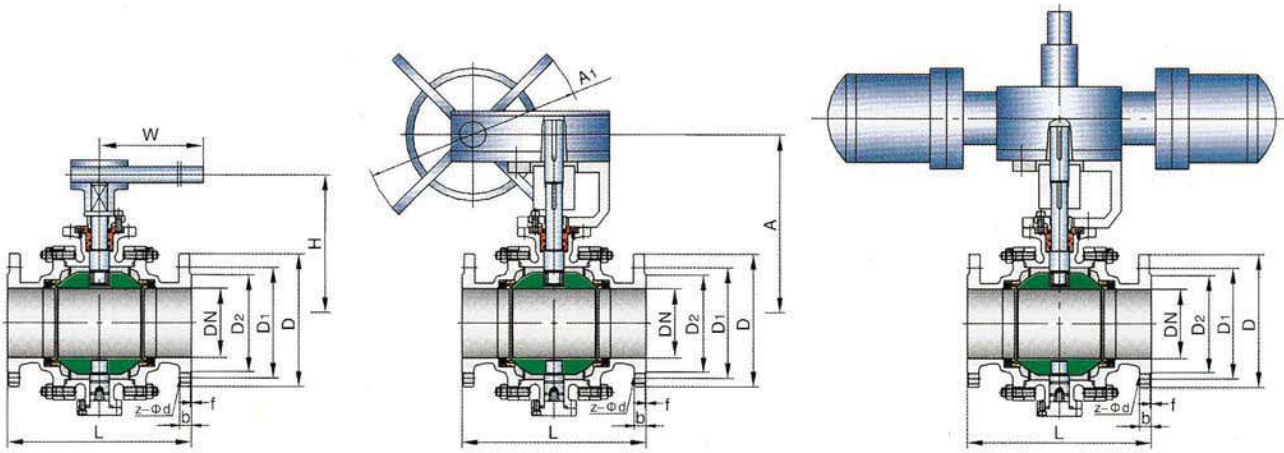


Wenzhou Sn-Joe Flow Tech Equipment Co., Ltd.

国标固定式铸钢球阀/GB Cast Steel Trunnion Type Ball Valve



标准

设计、制造按GB/T12237
 结构长度按GB/T12221
 法兰连接尺寸按JB/T79-94
 检验按JB/T9092

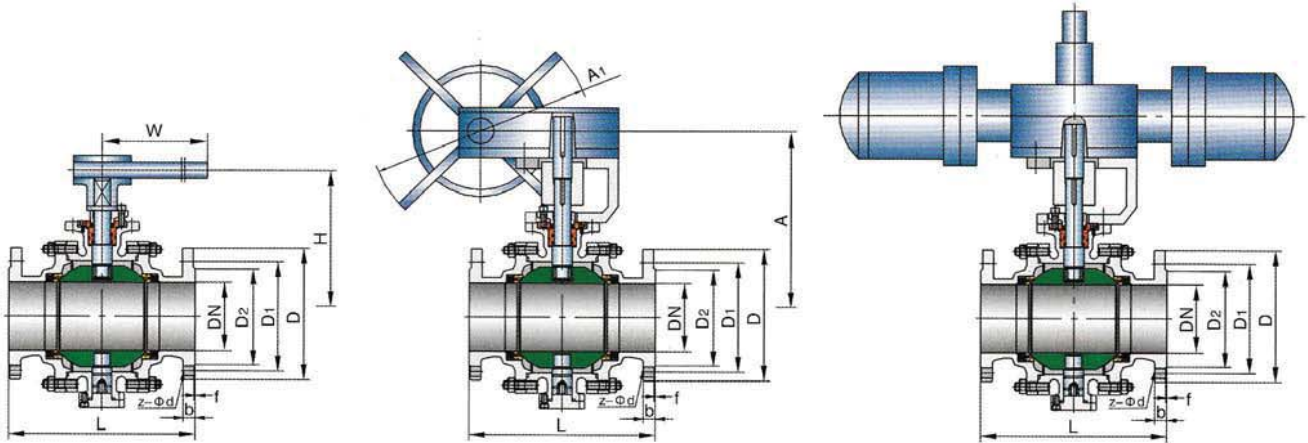
Standards

Design and manufacture as GB/T12237
 Face to face dimensions as GB/T12221
 End flange dimension as JB/T79
 Pressure test as JB/T9092

主要连接尺寸 Main Connection Dimensions

型号 Type	规格 Size(mm)		尺寸 Dimension(mm)											
	inch	DN	Mm	L	D	D1	D2	b-f	z-φd	H	W	A	A1	A2
F Q47H-16 Y F Q347H-16 Y F Q647H-16 Y	2"	50	50	178	160	125	100	16-3	4-φ18	110	240	-	-	-
	2 1/2"	65	65	190	180	145	120	18-3	4-φ18	125	280	-	-	-
	3"	80	80	203	195	160	135	20-3	8-φ18	155	310	-	-	-
	4"	100	100	305	215	180	155	20-3	8-φ18	178	330	-	-	-
	5"	125	125	356	245	210	185	22-3	8-φ18	255	600	-	-	-
	6"	150	150	394	280	240	210	24-3	8-φ23	275	1050	378	400	200
	8"	200	200	457	335	295	265	26-3	12-φ23	-	-	421	400	200
	10"	250	250	533	405	355	320	30-3	12-φ25	-	-	482	400	200
	12"	300	300	610	460	410	375	30-4	12-φ25	-	-	549	600	330
	14"	350	337	686	520	470	435	34-4	16-φ25	-	-	582	600	330
	16"	400	387	762	580	525	485	36-4	16-φ30	-	-	687	800	370
	18"	450	438	864	640	585	545	40-4	20-φ30	-	-	730	800	370
	20"	500	489	914	705	650	608	44-5	20-φ34	-	-	772	800	370
	24"	600	591	1067	840	770	718	48-5	20-φ41	-	-	995	800	515
	28"	700	686	1245	910	840	788	50-5	24-φ41	-	-	1080	800	515
	32"	800	781	1372	1020	950	898	52-5	24-φ41	-	-	1220	800	570
36"	900	874	1524	1120	1050	998	54-5	28-φ41	-	-	1370	800	570	

Wenzhou Sn-Joe Flow Tech Equipment Co., Ltd.
 国标固定式铸钢球阀/GB Cast Steel Trunnion Type Ball Valve



标准

设计、制造按GB/T12237
 结构长度按GB/T12221
 法兰连接尺寸按JB/T79-94
 检验按JB/T9092

Standards

Design and manufacture as GB/T12237
 Face to face dimensions as GB/T12221
 End flange dimension as JB/T79
 Pressure test as JB/T9092

主要连接尺寸 Main Connection Dimensions

型号 Type	规格 Size(mm)		尺寸 Dimension(mm)											
	inch	DN	Mm	L	D	D ₁	D ₂	b-f	z-φd	H	W	A	A ₁	A ₂
F Q47H-25 Y F Q347H-25 Y F Q647H-25 Y	2"	50	50	216	160	125	100	20-3	4-φ18	110	240	-	-	-
	2 1/2"	65	65	241	180	145	120	22-3	8-φ18	125	280	-	-	-
	3"	85	80	283	195	160	135	22-3	8-φ18	155	310	-	-	-
	4"	100	100	305	230	190	160	24-3	8-φ23	178	330	-	-	-
	5"	125	125	381	270	220	188	28-3	8-φ25	255	600	-	-	-
	6"	150	150	403	300	250	218	30-3	8-φ25	275	1050	378	400	200
	8"	200	200	502	360	310	278	34-3	12-φ25	-	-	421	400	200
	10"	250	250	568	425	370	332	36-3	12-φ30	-	-	482	400	200
	12"	300	300	648	485	430	390	40-4	16-φ30	-	-	549	600	330
	14"	350	337	762	550	490	448	44-4	16-φ34	-	-	582	600	330
	16"	400	387	838	610	550	505	48-4	16-φ34	-	-	687	800	370
	18"	450	438	914	660	600	555	50-4	20-φ34	-	-	730	800	370
	20"	500	489	991	730	660	610	52-4	20-φ41	-	-	772	800	370
	24"	600	591	1143	840	770	718	56-5	20-φ41	-	-	995	800	515
	28"	700	686	1346	955	875	815	60-5	24-φ28	-	-	1080	800	515
	32"	800	781	1524	1070	990	930	60-5	24-φ48	-	-	1220	800	570
36"	900	874	1727	1180	1090	1025	66-5	28-φ54	-	-	1370	800	570	