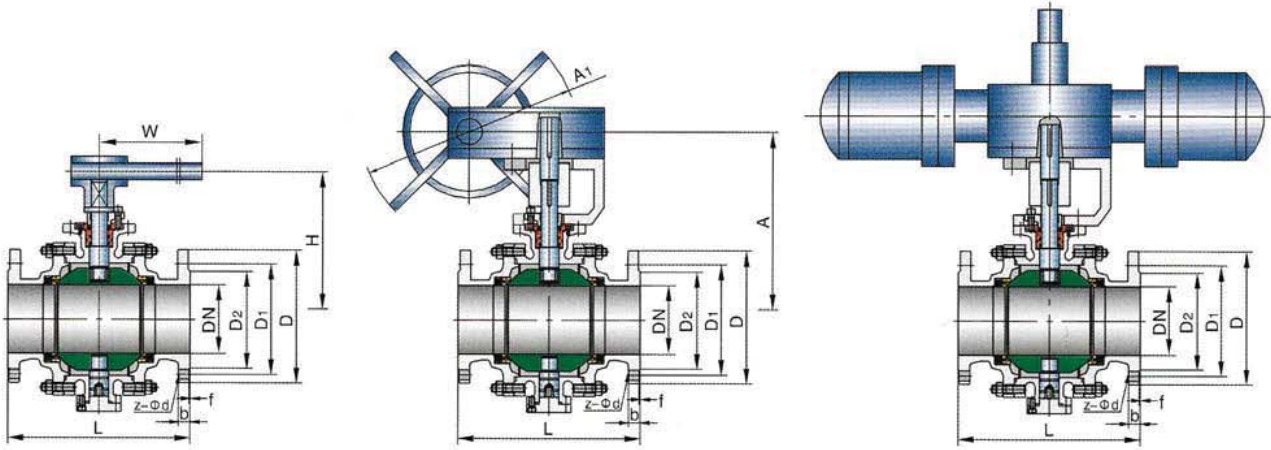


Wenzhou Sn-Joe Flow Tech Equipment Co., Ltd.  
美标固定式铸钢球阀/API Cast Steel Trunnion Type Ball Valve



标准

设计、制造按API 6D, BS5351  
结构长度按ANSI B16.10  
法兰连接尺寸按ANSI B16.5  
检验按API 598

Standards

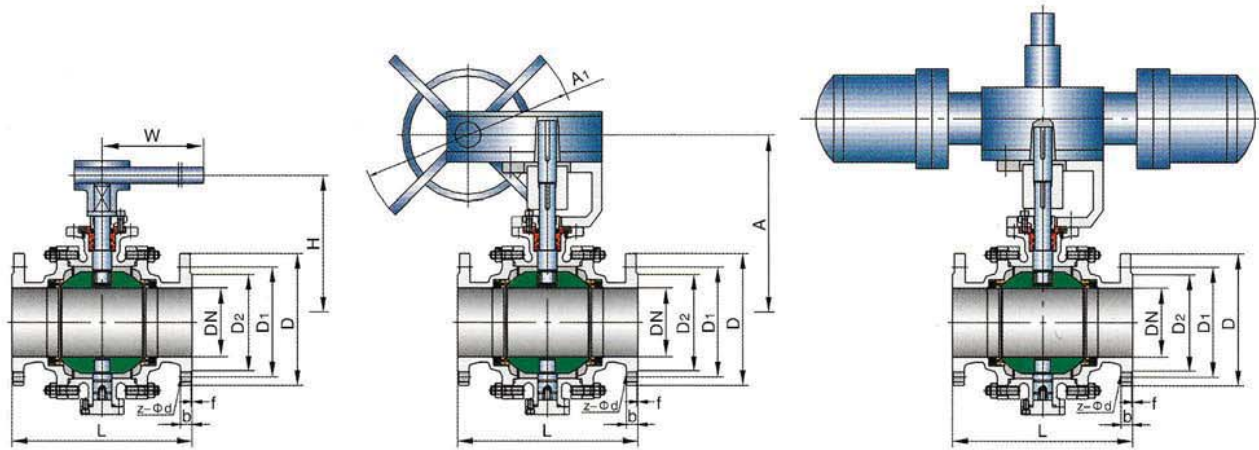
Design and manufacture as API 6D, BS5351  
Face to face dimensions as ANSI B16.10  
End flange dimension as ANSI B16.5  
Pressure test as API 598

主要连接尺寸 Main Connection Dimensions

型号 Type	规格 Size(mm)		尺寸 Dimension(mm)											
	inch	DN	d <sub>1</sub>	L	D	D <sub>1</sub>	D <sub>2</sub>	b	z-φd	H	W	A	A <sub>1</sub>	A <sub>2</sub>
Q47 <sup>F</sup> <sub>Y</sub> -150Lb	2"	50	51	178	152	120.7	92	16	4-φ19	110	240	-	-	-
	2 1/2"	65	64	191	177.8	139.7	104.7	18	4-φ19	125	280	-	-	-
	3"	85	76	203	190.5	152.4	127	19	4-φ19	155	310	-	-	-
	4"	100	102	229	229	190.5	157	24	8-φ19	178	330	-	-	-
	5"	125	127	356	254	216	185.7	26	8-φ22	255	600	-	-	-
	6"	150	152	394	279	241.3	216	26	8-φ22	275	1050	378	400	200
	8"	200	203	457	343	298.5	270	29	8-φ22	-	-	421	400	200
	10"	250	254	533	406	362	324	31	12-φ25	-	-	482	400	200
	12"	300	305	610	483	432	381	32	12-φ25	-	-	549	600	330
	14"	350	337	686	533	476.3	413	35	12-φ29	-	-	582	600	330
	16"	400	387	762	597	540	470	37	16-φ29	-	-	687	800	370
	18"	450	438	864	635	578	533.4	40	16-φ32	-	-	730	800	370
	20"	500	489	914	698.5	635	584	43	20-φ32	-	-	772	800	370
	24"	600	591	1067	813	749.3	692	48	20-φ35	-	-	995	800	515
	26"	650	633	1143	870	806	749.5	69	24-φ35	-	-	1022	800	515
	28"	700	686	1245	927	863	800	72	28-φ35	-	-	1088	800	515
30"	750	735	1295	984	914.4	857	75	28-φ35	-	-	1153	800	515	
32"	800	781	1372	1060.5	978	914.4	81	28-φ42	-	-	1223	800	570	
34"	850	830	1473	1111	1029	965	83	32-φ42	-	-	1307	800	570	
36"	900	874	1524	1168	1086	1022.4	91	32-φ42	-	-	1374	800	570	

# Wenzhou Sn-Joe Flow Tech Equipment Co., Ltd.

## 美标固定式铸钢球阀/API Cast Steel Trunnion Type Ball Valve



### 标准

设计、制造按API 6D, BS5351  
 结构长度按ANSI B16.10  
 法兰连接尺寸按ANSI B16.5  
 检验按API 598

### Standards

Design and manufacture as API 6D, BS5351  
 Face to face dimensions as ANSI B16.10  
 End flange dimension as ANSI B16.5  
 Pressure test as API 598

### 主要连接尺寸 Main Connection Dimensions

型号 Type	规格 Size(mm)		尺寸 Dimension(mm)											
	inch	DN	d1	L	D	D1	D2	b	z-φd	H	W	A	A1	A2
Q47 <sub>Y</sub> <sup>F</sup> -300Lb	2"	50	51	216	165	127	92	22	8-φ19	110	240	-	-	-
	2 1/2"	65	64	241	190	149	104.7	25	8-φ22	125	280	-	-	-
	3"	85	76	283	210	168.5	127	29	8-φ22	155	310	-	-	-
	4"	100	102	305	254	200	157	32	8-φ22	178	330	-	-	-
	5"	125	127	381	279	235	185.7	35	8-φ22	255	600	-	-	-
	6"	150	152	403	318	270	216	37	12-φ22	275	1050	378	400	200
	8"	200	203	502	381	330	270	41	12-φ25	-	-	421	400	200
	10"	250	254	568	445	387.5	324	48	16-φ29	-	-	482	400	200
	12"	300	305	648	521	451	381	51	16-φ32	-	-	549	600	330
	14"	350	337	762	584	514.5	413	54	20-φ32	-	-	582	600	330
	16"	400	387	838	648	571.5	470	57	20-φ35	-	-	687	800	370
	18"	450	438	914	711	628.5	533.4	60	24-φ35	-	-	730	800	370
	20"	500	489	991	775	686	584	64	24-φ35	-	-	772	800	370
	24"	600	591	1143	914	813	692	70	24-φ41	-	-	995	800	515
	26"	650	633	1245	972	876	749.5	80	24-φ45	-	-	1022	800	515
	28"	700	686	1346	1035	939.8	800	86	28-φ45	-	-	1088	800	515
	30"	750	735	1397	1092	997	857	92	28-φ48	-	-	1153	800	515
	32"	800	781	1524	1149	1054	914.4	99	28-φ51	-	-	1223	800	570
34"	850	830	1626	1207	1105	965	102	32-φ51	-	-	1307	800	570	
36"	900	874	1727	1270	1168.4	1022.4	105	32-φ54	-	-	1374	800	570	